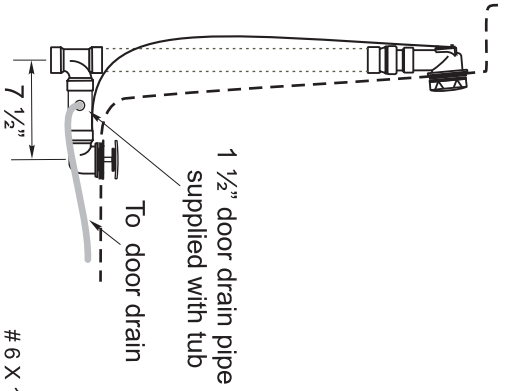


INSTALLATION DETAILS

3153-D



IMPORTANT:
Pre-drill and screw tub flange to studs. **Do Not** force tub flange to studs, this will cause the tub door to leak.

